

SECURING GET OVER IT! DISPENSERS ON NEW STYLE WALLS

The new Andy Mark field available this season has a significantly different design than other fields used for FTC tournaments. These instructions offer a solution for securing the baton dispensers to the new field. Remember, the main objective is to have the dispensers mounted securely, and at the proper heights for competition.

You will need:

TETRIX™ U-Channels

QTY 10

Per Field



Long Tie-Wraps

20

Per Field



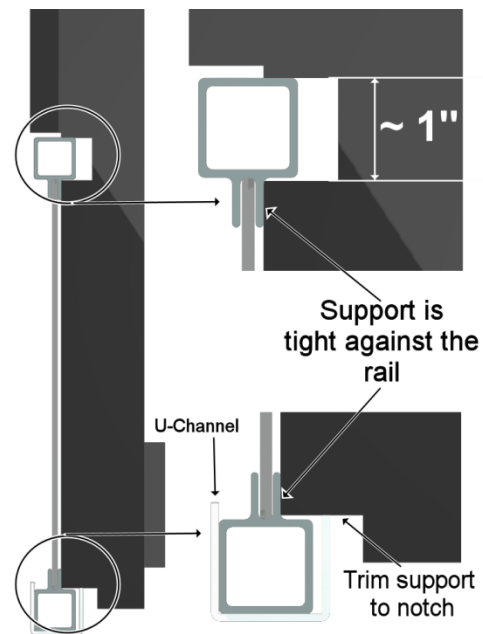
1. Place the U-Channels under the wall where the dispenser supports will be positioned. Use one U-channel for the low dispenser, and one for the high dispenser. Use two U-channels for the middle support (the one with the IR-Beacon).



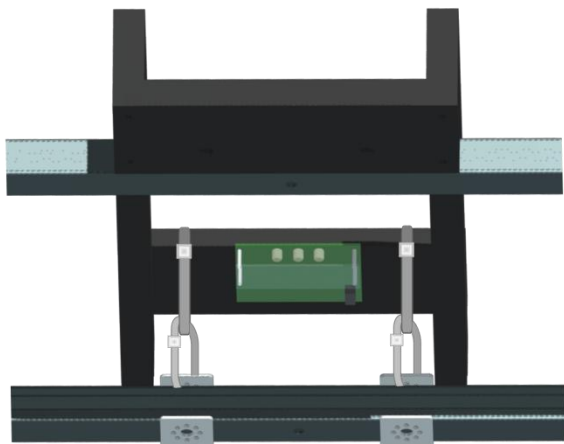
2. Prepare the supports by trimming the wood to accommodate the width of the top and bottom of steel wall structure.

The support should fit against the steel rail as illustrated.

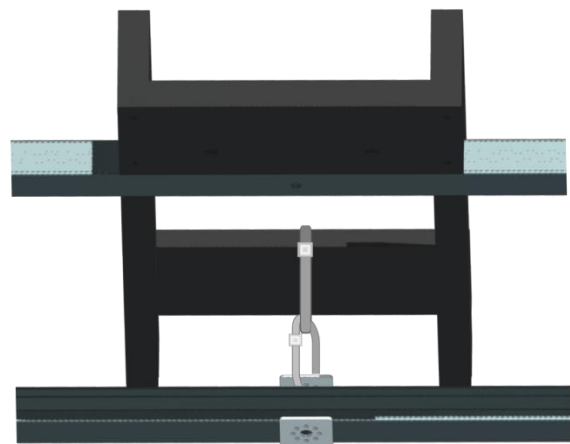
The objective is to ensure the supports are able to hold the dispensers securely during competition.



3. Loop a tie wrap securely around the wooden support. Loop a second tie wrap through the U-Channel and connect the two. Pull tight to ensure a snug fit.



Mid-Height Support with Beacon



High and Low Supports (No Beacon)

Important: Adjust the supports as necessary to ensure the dispensers are at proper heights consistent with the other fields.

